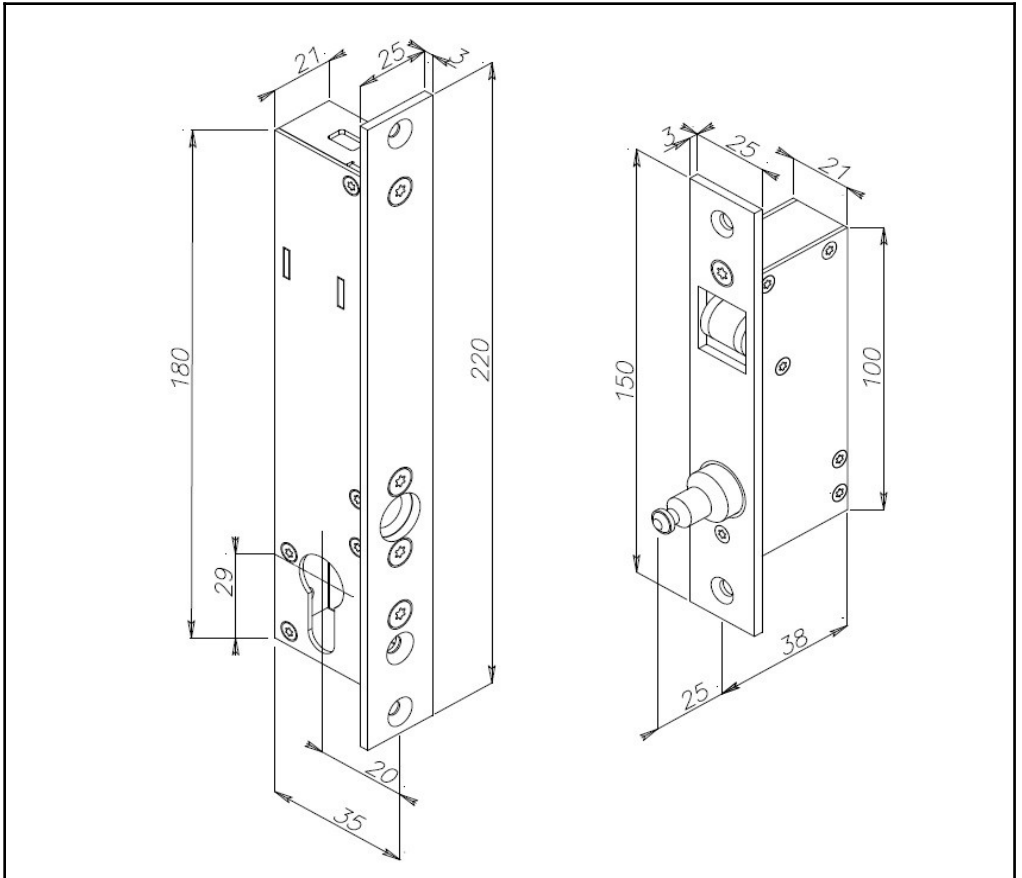


ARCA SLIDE

Item 23622S -23624S – 23822S – 23824S

TECHNICAL DATA



Power	Power consumption	Holding force	Opening overload	Bolt status
12 o 24 Vdc	1A at 12Vdc 500mA at 24Vdc	800Kg	Max. 50N	Yes

FONCTIONNING

Security electric lock for sliding doors. Counterlock with bolt release system, invisible when leaf is open.

INSTALLATION

Lock fixing:

1. Find the right position of the lock into the frame.
2. Make suitable holes on the frame for the lock and for the euro-profile cylinder
3. Proceed with electrical connections.
4. Fix the lock.

Counterlock fixing:

1. Pair the counterlock and the lock closing the door. The bolt must enter into the lock hole.
2. Make a suitable hole on the door to fit the counterlock.
3. Fix the counterlock.

FAIL SAFE VERSION

Lock always powered, the opening button cut the current (power off).

Power consumption drops to 300 mA after 0,2 secs. Peak consumption 1A.

Close the door and check its holding force.

Activate the electric or manual release to unclock the door.

FAIL SECURE VERSION

Lock always unpowered, push button gives current.

Close the door and check its holding force.

Activate the electric or manual release to unclock the door.

In case of opening problems:

- Ensure lock and counterlock are aligned
- Ensure there are no interfering objects
- Ensure the correct power supply
- Ensure the pulling force on the bolt does not exceed the 50N during opening command.

USE INSTRUCTIONS

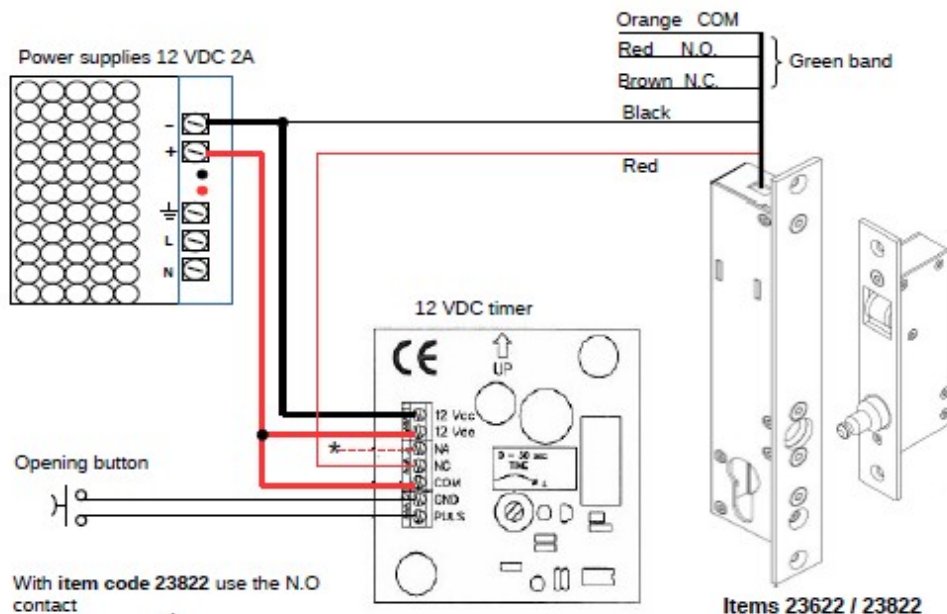
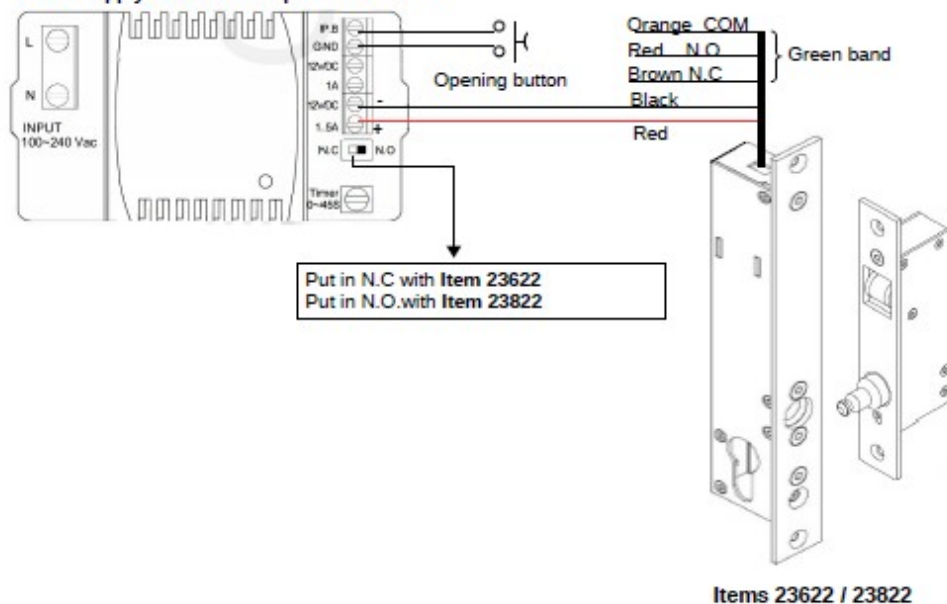
Close the door and check its holding force

Activate the electric or manual release to unclock the door.

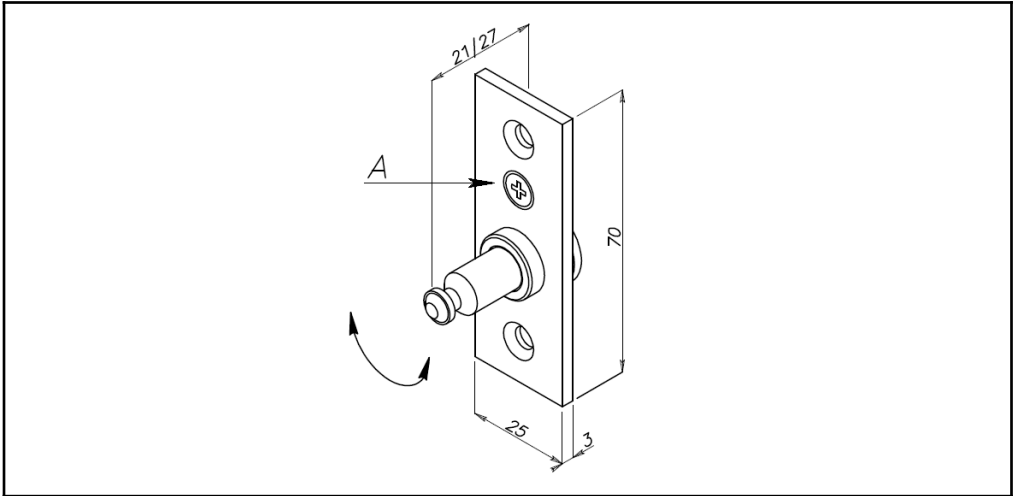
Attention; do not pull the door before having pressed the correct button,

CONNECTION SCHEME

Power supply with timed output – Item 05310



FIXED STRIKING PLATE - CF



Fixed counterplate fixing:

1. Pair the counterlock and the lock closing the door. The bolt must enter into the lock hole.
2. Make a suitable hole on the frame for the fixed counterplate
3. Fix the fixed counterplate
4. Adjust the protrusion of the locking bolt

To adjust the protrusion of the locking bolt,

- Loosen the "A" screw
- Rotate the bolt to adjust its protrusion
- Find the correct protrusion and fix te "A" screw

Attention: the fixed striking plate is supplied upon request only

MAINTENANCE

It is recommended to proceed with maintenance controls each three months at the latest, checking all components are in good operative conditions. In particular:

- check the door is hold by the lock
- check the fonctionning of the electrical and manual release
- check if the screws are correctly screwed.

Instructions and maintenance indications must be given to the user.