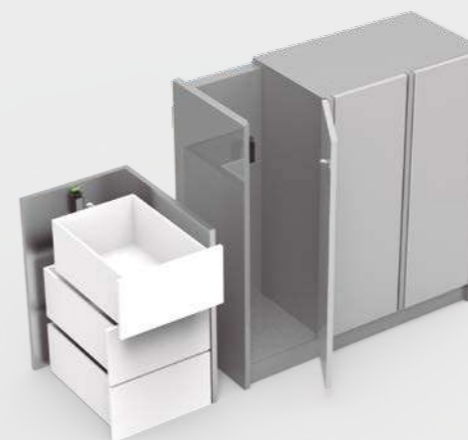


SERIES PGX

MICRO BOLT

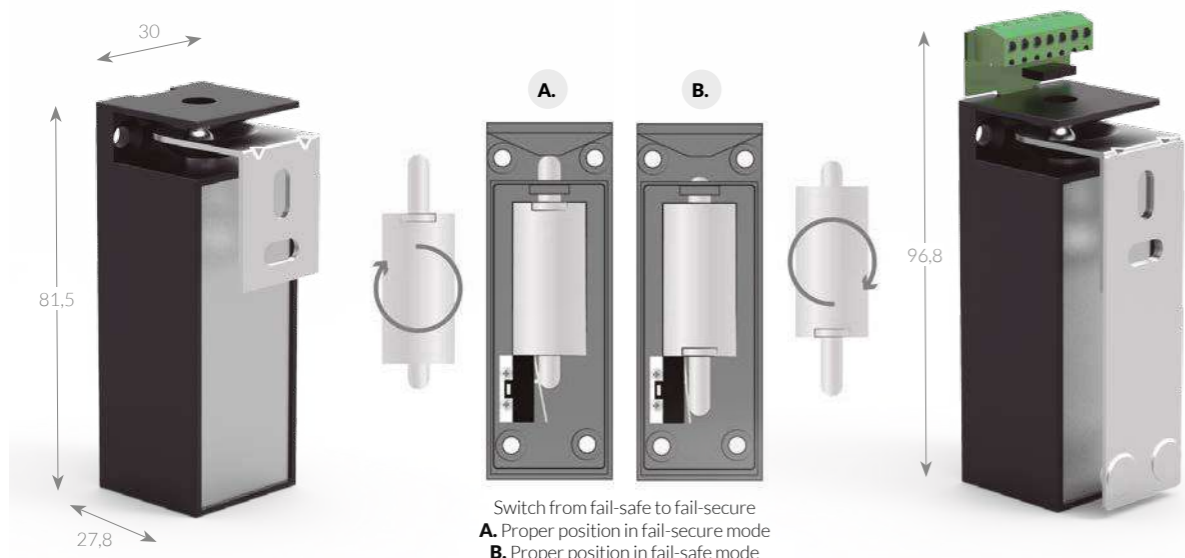
Small and infallible

The best way of ensuring the safety of all manner of bins, lockers, showcases and more. It can be operated from the front or the side, giving it great versatility and making it an unbeatable option for small spaces.



ELECTRIC
LOCKS

PGX



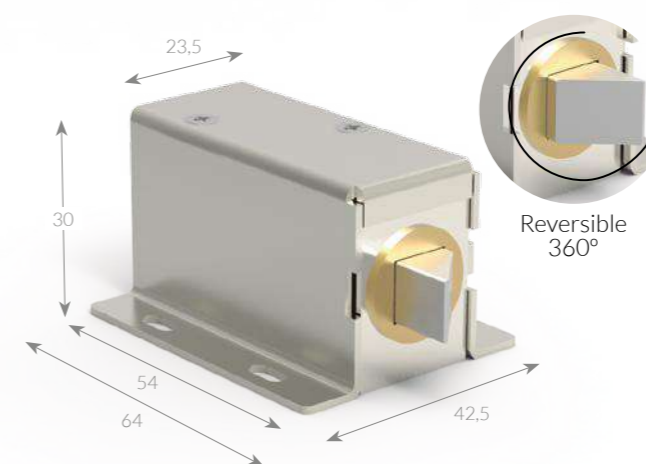
Switch from fail-safe to fail-secure
A. Proper position in fail-secure mode
B. Proper position in fail-safe mode

PGX01	
Voltage:	12 / 24 V DC
DC Consumption:	300 mA / 150 mA
DC power:	3,6 W
Rated resistance:	40 Ohms

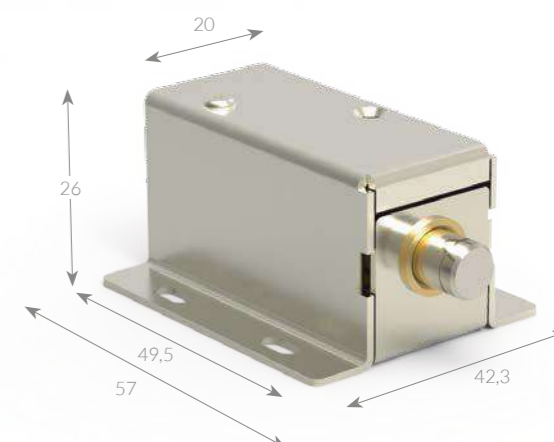
PGX02	
Voltage:	12 / 24 V DC
DC Consumption:	300 mA / 150 mA
DC power:	3,6 W
Rated resistance:	40 Ohms

With monitoring:

1. Lock status. Micro-switch Rating:	1A / 30 V DC
2. Door status. Reed switch: (Max Switching Contact:	Max 10W 0,5 A)



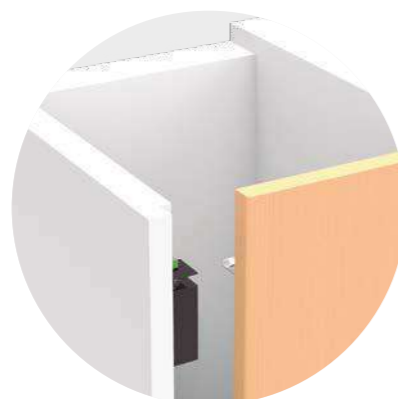
PGX03	
Voltage:	12 V DC
DC current consumption:	700 mA
DC power:	7,8 W
Rated resistance:	18,46 Ohms
Timer:	1s energized < 10s
Latch length:	10 mm



PGX04	
Voltage:	12 V DC
DC current consumption:	350 mA
DC power:	4,2 W
Rated resistance:	37 Ohms
Timer:	1s energized < 10s
Latch length:	6 mm



Sliding drawer



Sliding door



Pull door



Swinging doors



Swinging doors